

Star II LED High Bay

Description

• Star II LED High Bay is excellent in energy-efficiency, it offers a simple, direct and cost-effective one-for-one replacement of traditional HID/MH luminaires

Key Features

- High Performance LED High Bay can up to 28000lm
- Optional remote-control Tuya Mesh with stand-by dimming and daylight threshold
- Compact size with lighter weight ensures lower shipping cost
- IP65 vandal resistant (IK10)
- 5 years warranty



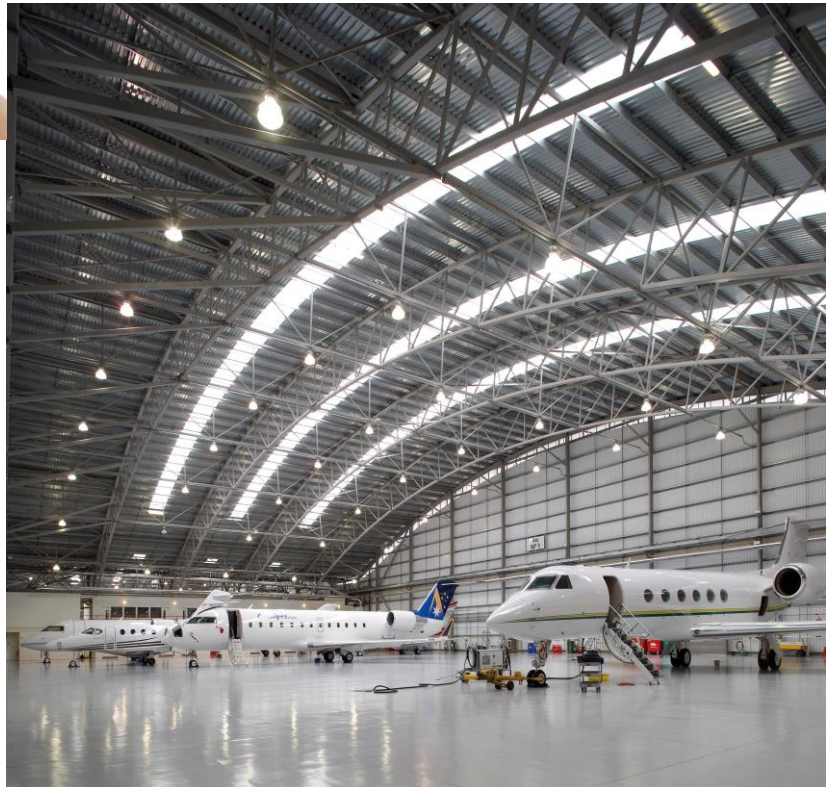
Light Sensor

Motion Sensor



Applications

- Warehouse
- Industrial Facility
- Exhibition Center
- Shopping Mall
- Gymnasium
- Stations

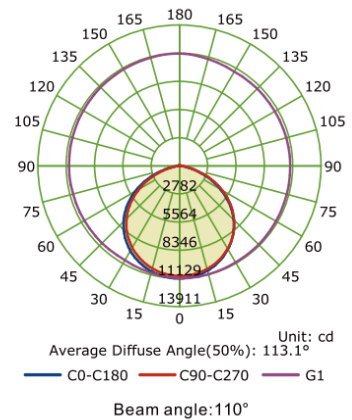
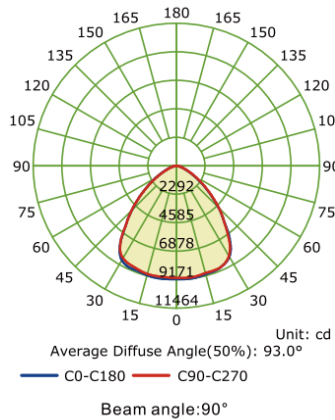
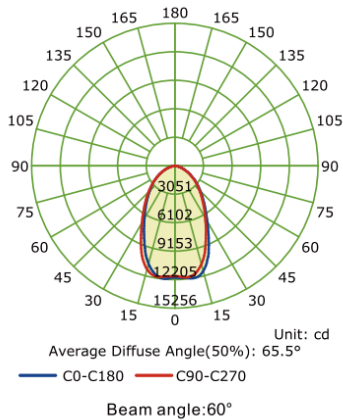




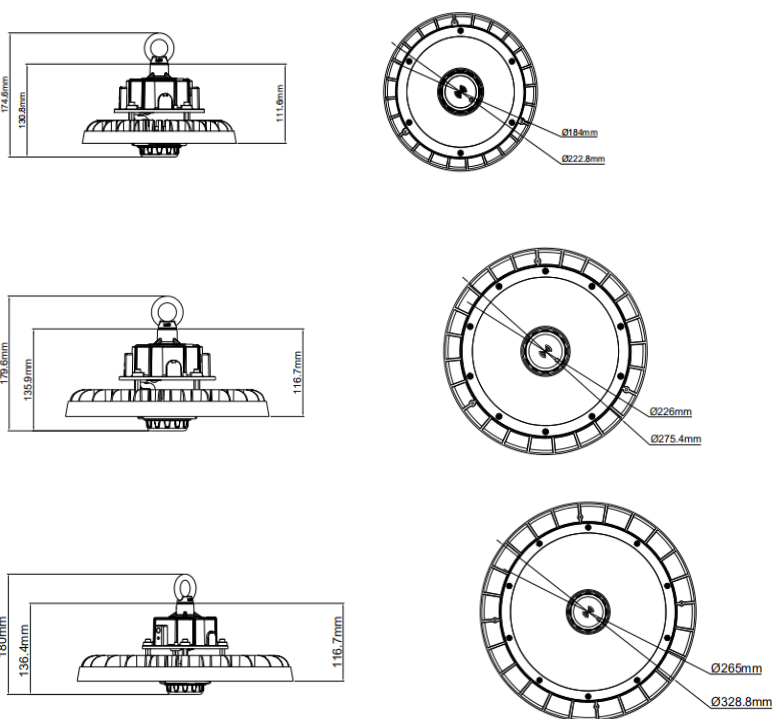
Specifications

Model No.	SV-HB-100WN	SV-HB-150WN	SV-HB-200WN
Power Consumption	100W	150W	200W
LED Type	Hongli 2835		
LuStarus Flux	16000lm	24000lm	32000lm
Efficacy	160 lm/W		
Color Temperature	4000K/5000K/5700K		
Rendering Index	Ra80		
Beam Angle	60°/90°/120°		
Power Supply	Baldurs/Lifud		
Input Voltage	100-305V / 180-277V		
Power Factor	>0.95		
Frequency	50 / 60 Hz		
Product Dimension	φ223*165 mm	φ 275*165 mm	φ 329*165mm
Luminaire Net Weight	1.7kg	2.0kg	2.5kg
Material	Die-cast Aluminum Alloy		
	Polycarbonate Cover		
Finish	Powder Coating		
Fixture Color	Black		
IP Rating	IP65		
Impact Protection	IK10		
Operating Temperature	-20°C to + 45°C		
Life Time	>50,000Hrs		
Warranty	5 Years		
Dimmable	Non-dimmable, 0-10V dimmable or 1-10V dimmable		
Accessory as optional	PC Cover/Aluminum cover		
	Suspension Chain -		
	Plug - EU Plug /Au plug		

Photometry

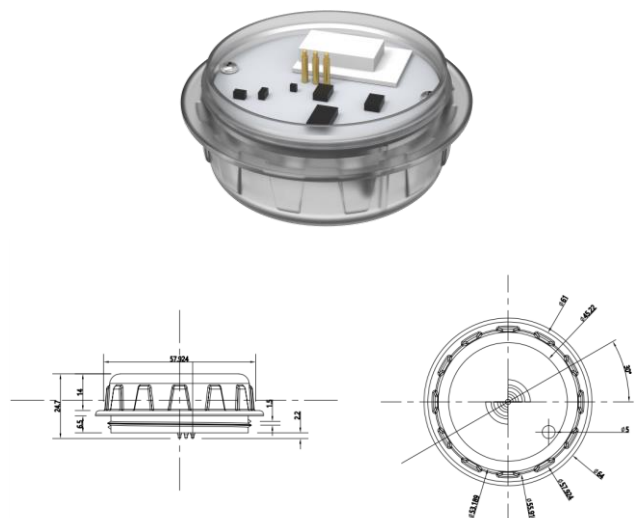


Dimensions


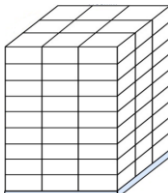



Simple disassembly sensor

Motion Sensor / Lighting Sensor



Packing Size

Dimension	Carton Size	Pallet Size	Container Size
Packing Pictures			
Type	Single Unit Box	Pallet	20ft Container-Palletized
Quantity	1	/	/
Dimension(mm)	100W	260*260*150MM	1050*1050*1950mm / 192 pcs
	150W	315*315*155MM	1250*1000*2000mm / 144 pcs
	200W	370*370*155MM	1100*1100*2000mm / 108 pcs
NET(kg)	100W	1.7kg	326kg
	150W	2.0kg	280kg
	200W	2.5kg	270kg
GWT(kg)	100W	2.1kg	403kg
	150W	2.5kg	360kg
	200W	3.1kg	335kg
CBM	100W	0.01CBM	2.15CBM
	150W	0.02CBM	2.5CBM
	200W	0.02CBM	2.42CBM